

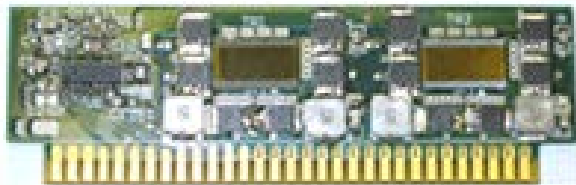


High-Impact Discovery

- Voltage Regulator Module -

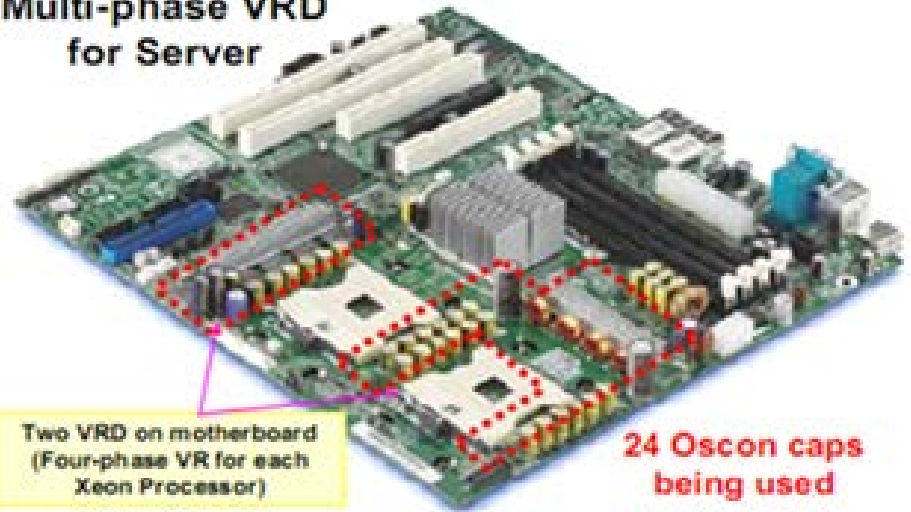
Center for Power Electronics Systems (CPES) at Virginia Tech – The Multiphase Voltage Regulator Module revolutionized microprocessor power management

Multi-phase VR for Server



CPES 1MHz 4-phase VR

Multi-phase VRD for Server



Two VRD on motherboard
(Four-phase VR for each
Xeon Processor)

24 Oscon caps
being used